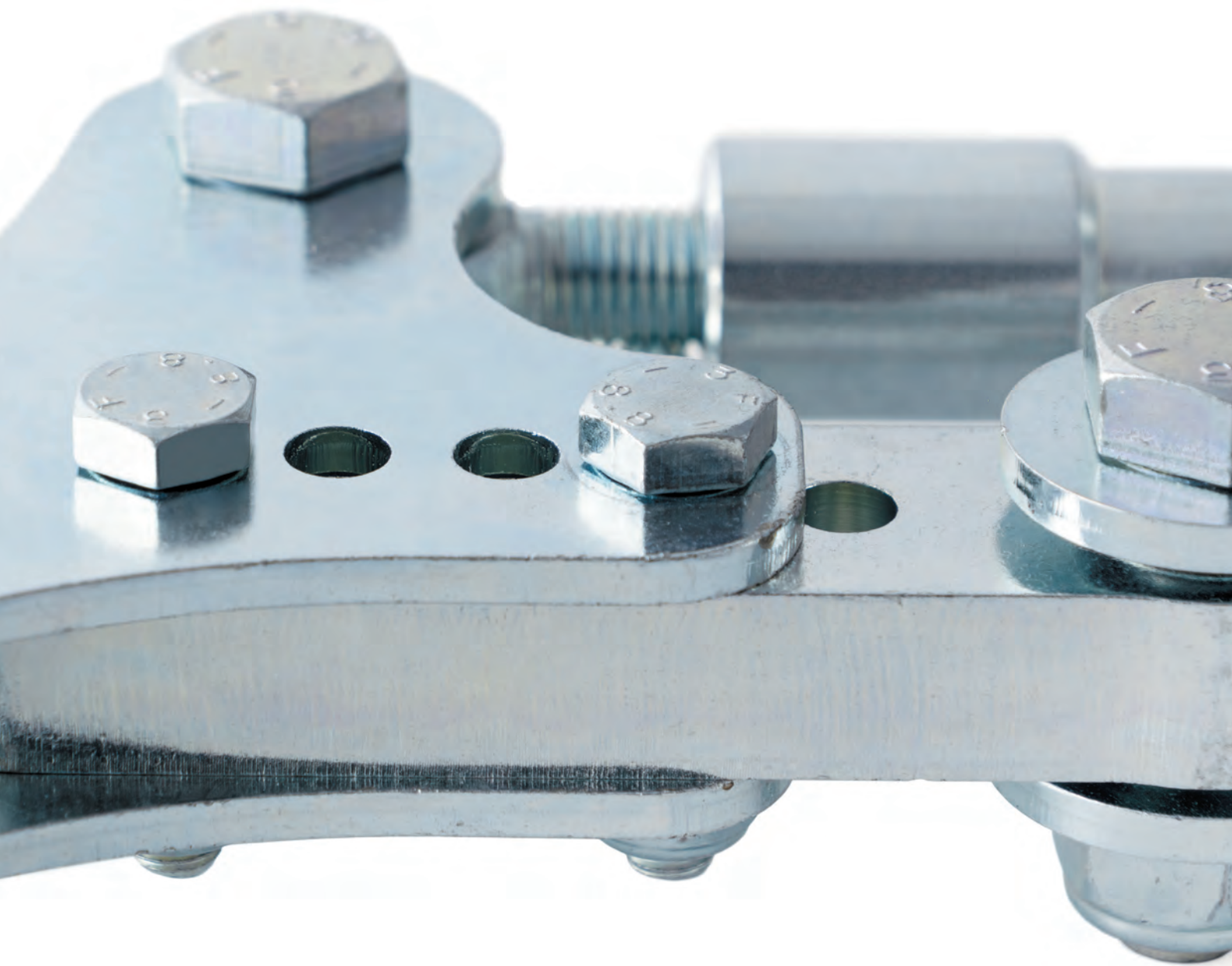


XL KIT FOR
BIFOLDING
SWING GATES



What to consider before installing a swing gate

Whether in residential or industrial settings, the first thing to do is to make sure there's enough space within the manoeuvre area to install a swing gate.

Why choose a bifolding swing gate

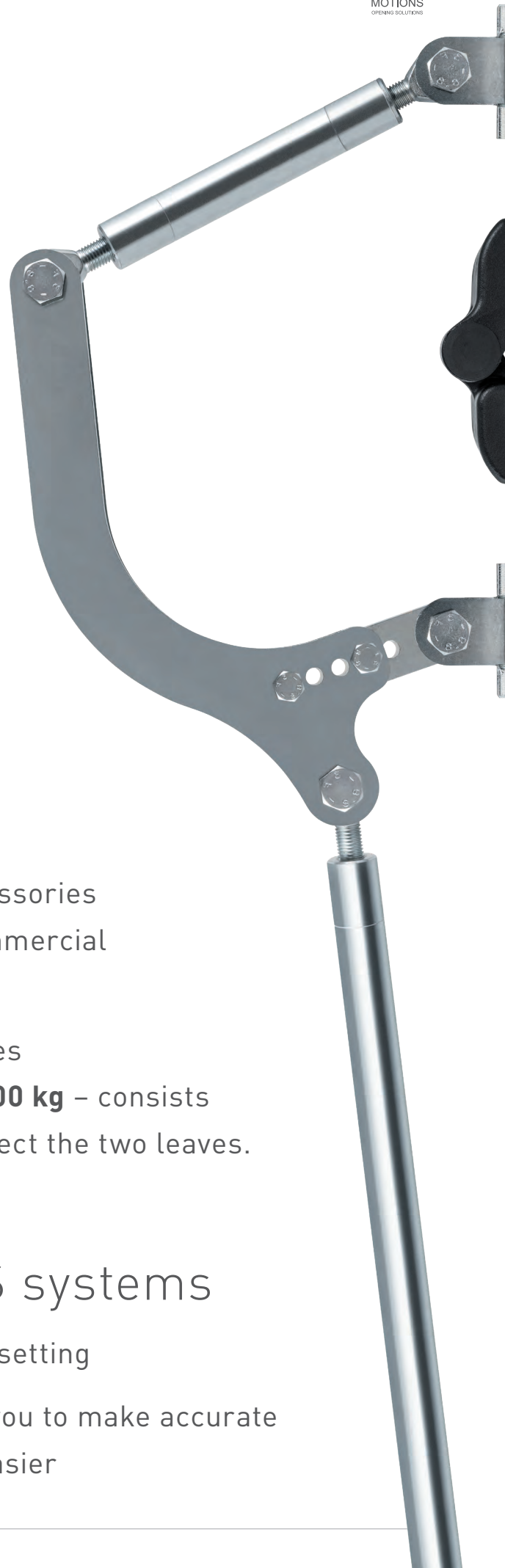
A bifolding swing gate is the ideal choice when there's not enough room for a 1- or 2-leaf swing gate.

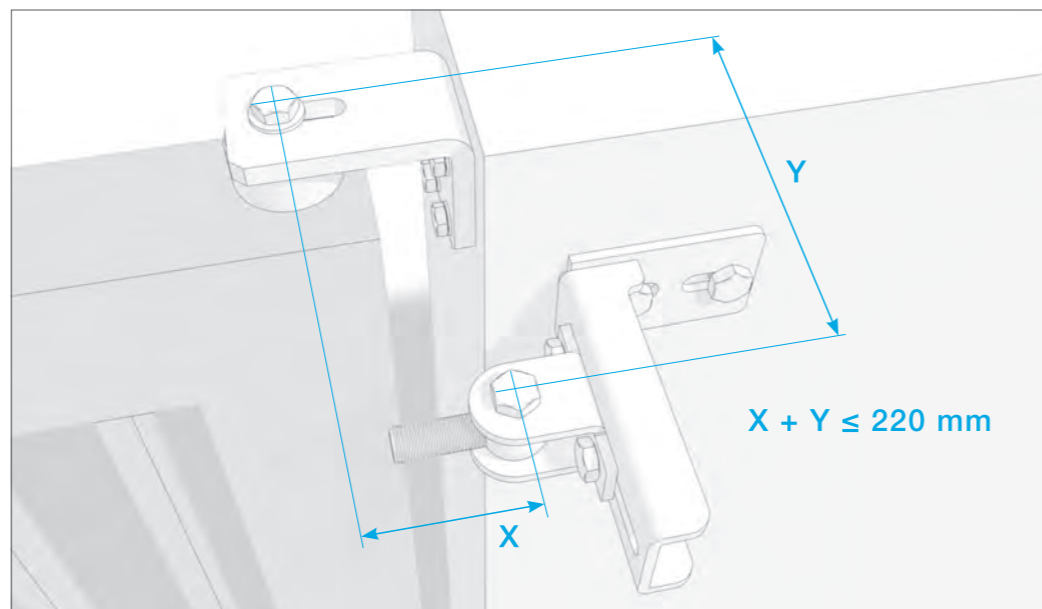
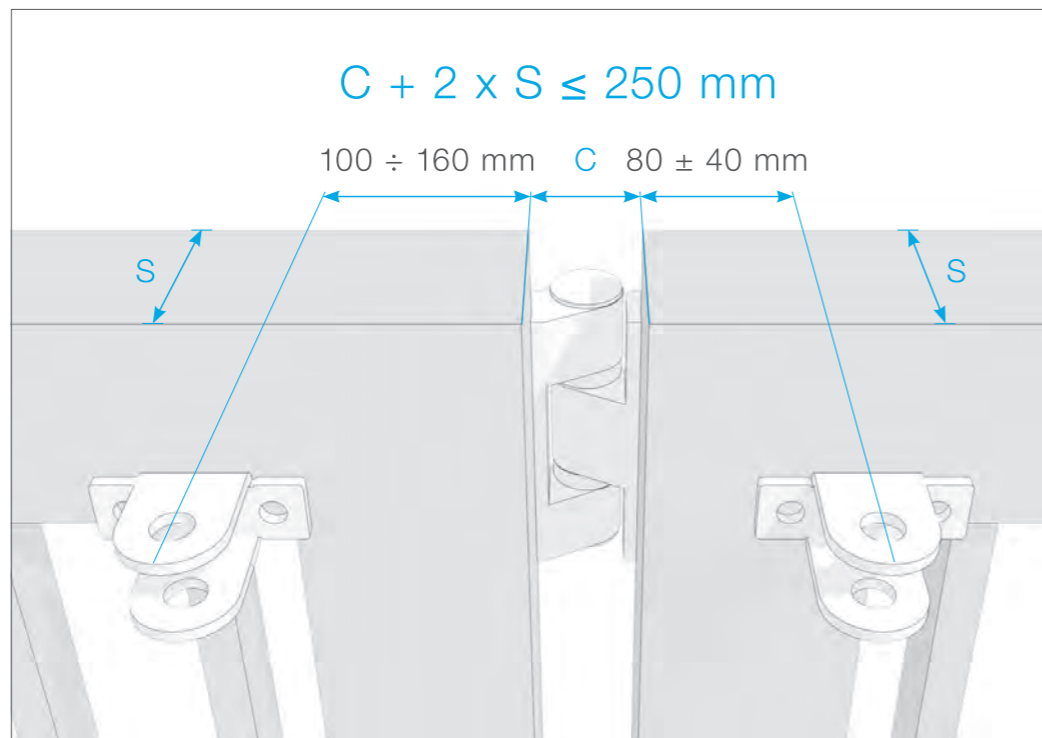
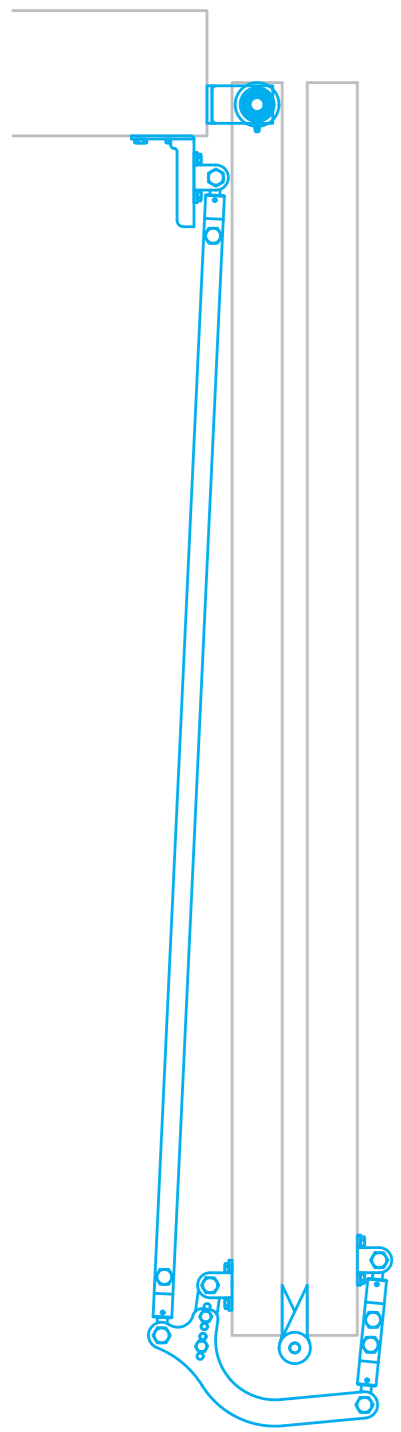
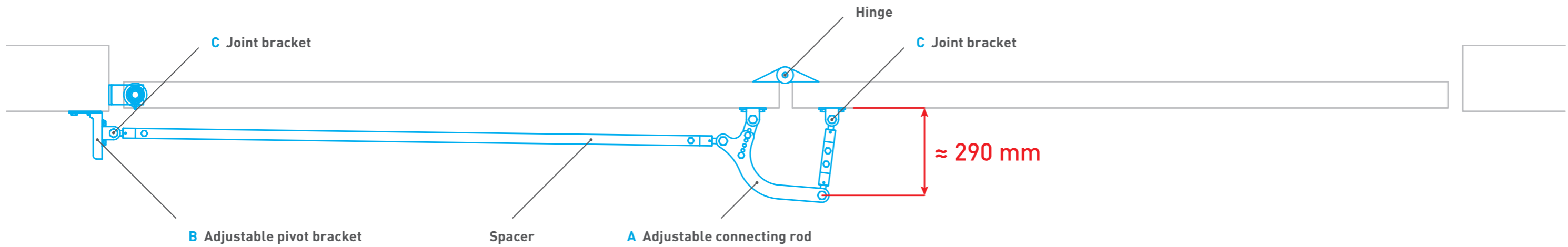
HI-MOTIONS has designed a range of accessories for swing gates installed in industrial, commercial and residential settings.


This kit – designed and developed for leaves measuring up to **5 m** and weighing up to **400 kg** – consists of a side bracket and a central rod to connect the two leaves.

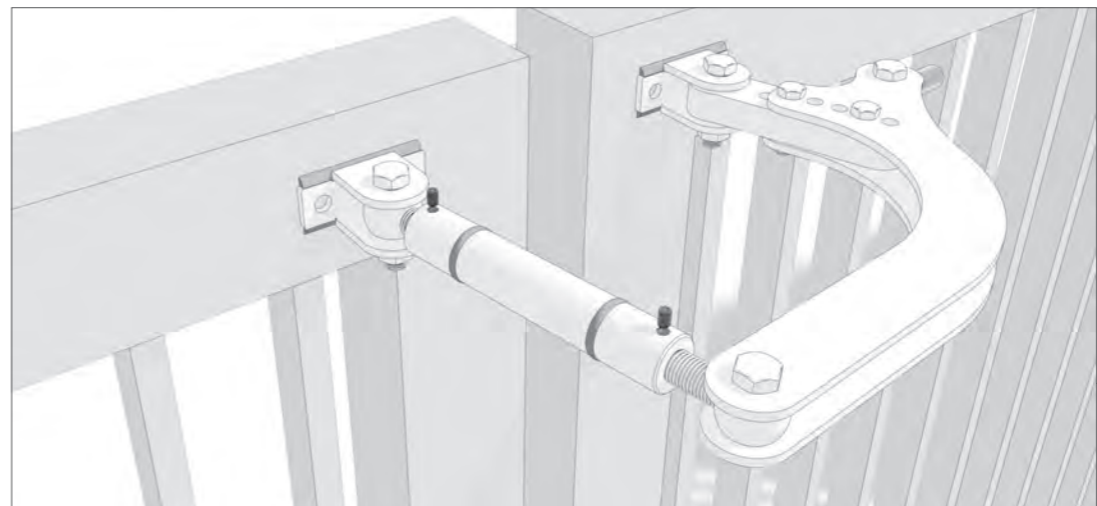
Why choose HI-MOTIONS systems


- These systems adapt to any situation or setting
- The galvanised steel accessories allow you to make accurate adjustments, thus making installation easier

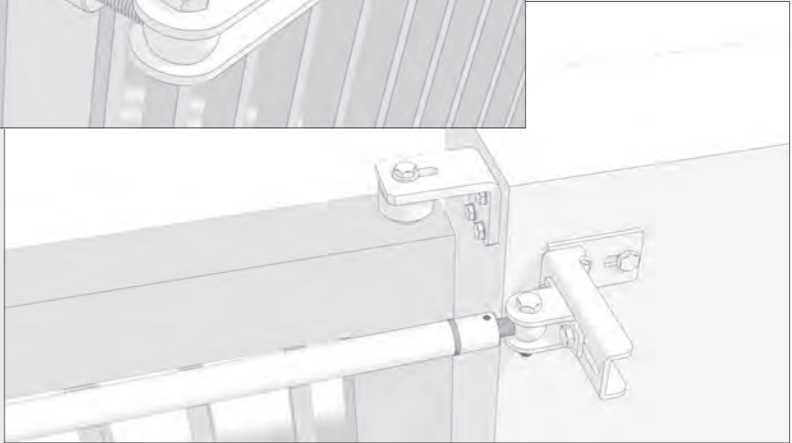




 Once the bifolding kit is installed, you can choose the automation, considering the use limitations. Always comply with the applicable local safety standards.



 [You Tube](#)
Watch the tutorial to see the various installation steps



Or download the instructions in PDF:





HI-MOTIONS Srl

Via dell'Industria, 91
36030 Sarcedo (VI) ITALY

T +39 0445 367536

F +39 0445 367520

info@himotions.it

www.himotions.it